

HDA

FULL HD 1080p

LED

HD Analogue Premium Monitor



32REDPH

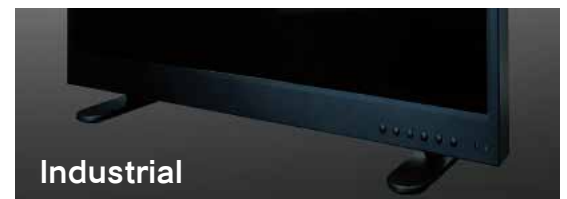
BUILT TO RUN 24 X 7 X 365 CONTINUOUSLY

OVERVIEW

ORION Images 32REDPH is a multifunctional monitor with various of digital and analog input sources. It is compatible with HD-Analogue input, such as CVI / TVI / AHD / CVBS / Trigger signals. This product is used in control rooms and broadcasting stations using CCTV cameras.

FEATURES

- » Metal Chassis
- » 1920 x 1080p Full HD
- » LED BLU (Back Light Unit) Display Monitor
- » 3D Comb Filter / Deinterlace, Noise Reduction, Advanced Auto Power Recovery, 3D Noise reduction, Auto Configuration/Detection/Color Calibration for Analog RGB
- » HD-Analogue In/Out, CVBS in/out, VGA In, DP In, HDMI In, Audio In, Trigger In
- » Built-In Speakers
- » Select Trigger input (Off, HDA, AV)

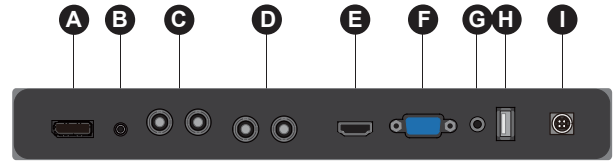


SPECIFICATIONS

32REDPH	
Display	
Screen Size	31.5 Inch
Max. Resolution	1920 x 1080 @ 60Hz
Pixel Pitch	0.364 x 0.364 mm
Brightness	400cd/m ²
Contrast Ratio	4000 : 1
Aspect Ratio	16 : 9
Viewing Angle (H/V)	178° / 178°
Display Color	16.7 Million
Response Time	< 8ms (Gray to Gray)
Video System	NTSC / PAL
Interface	
HD Analog In / Out (BNC Type)	1 In / 1 Out (AHD, HD-TVI, HD-CVI, CVBS)
CVBS In / Out (BNC Type)	1 In / 1 Out
VGA In (15Pin D-Sub)	1 In
DP In / HDMI In	1 In / 1 In
Trigger Input	1 In
PC Stereo In	1 In
Transmitter	
Remote Control	Yes
Audio	
Built-in Speakers	Yes (1W x 2)
Features	
Filter Type	3D Comb Filter
Trigger Source Switching	Yes
Blue screen for Composite video	Yes
3D nosie reduction	Yes
Advanced Auto Power Recovery	Yes
Auto Configuration	Yes
Auto Detection	Yes
Auto Color Calibration	Yes
Panel Life Time (hours)	30,000 hours
General	
Outline Dimension (w/ stand)	732 x 486.25 x 160mm(28.8" x 19.14" x 6.3")
Net Weight	15Kg (33.06 lbs)
Material / Color	Electronic galvanized iron / Black
Desk Top Stand	Yes
Consumption: < On	< 50W DC24V
Operating Temperature	0° ~ 40° C / 32° ~ 104° F
Storage Temperature	-20° ~ 60° C / -4° ~ 140° F
Mounts	
VESA™ Mount Size	200 x 200mm
Wall	CMK-01 with FMA-01
Ceiling	WB-2642

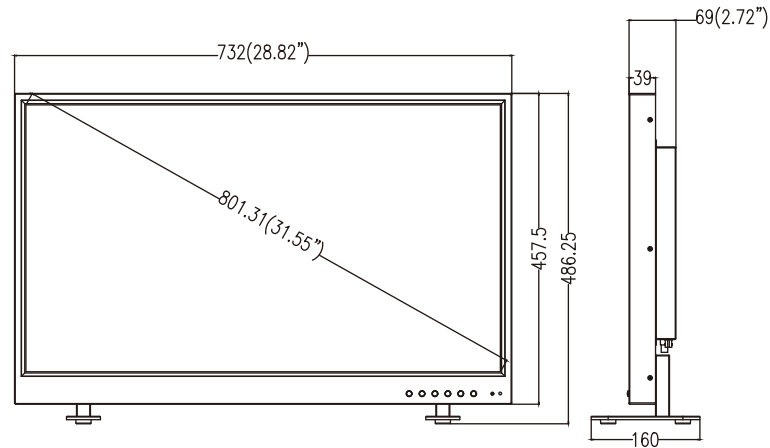
*Design and specifications are subject to change without notice

INPUT INTERFACE



- A DP In
- D CVBS In / Out
- G PC Stereo In
- B Trigger
- E HDMI In
- H USB (Update)
- C HDA In / Out
- F VGA In
- I DC 24V

DIMENSIONS



OPTIONAL MOUNTS



ADVANTAGES

3D Comb Filter

In signal processing, a comb filter adds a delayed version of a signal to itself, causing constructive and destructive interference. The frequency response of a comb filter consists of a series of regularly-spaced spikes, giving the appearance of a comb.



Before 3D Comb Filter



After 3D Comb Filter